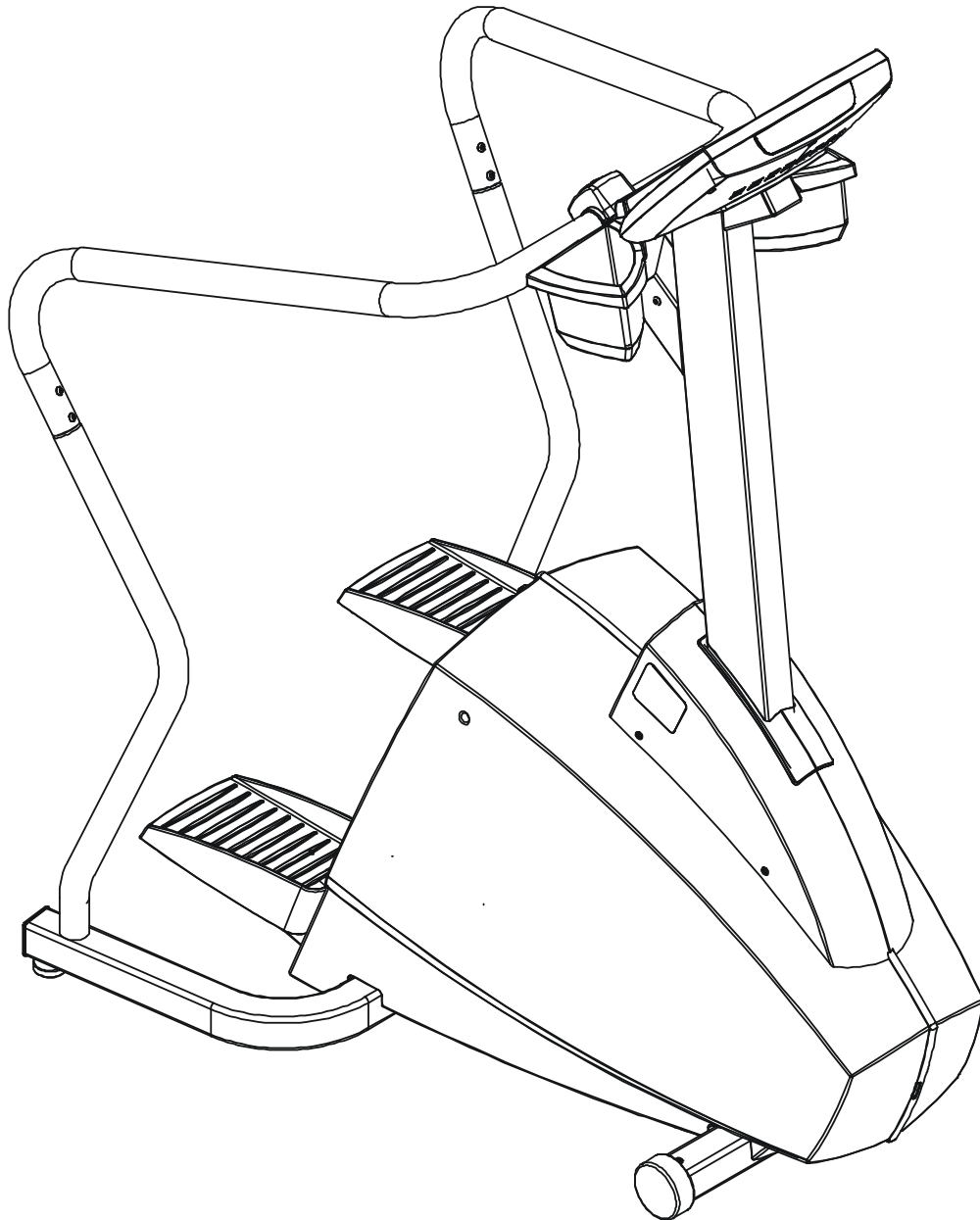


LifeFitness

ARCTIC SILVER 93S Stairclimber



Customer Support Services
PARTS MANUAL rev. 21 MAR. 2007

ARCTIC SILVER 93S
REFERENCES

93S-0XXX-04
S/N 100000 and UP

OPERATION MANUAL	M051-00K47-A108
OPTIONAL TELEMETRY KIT	GK47-00002-0003
PARTS BAG : INCLUDES HARDWARE BAG DOMESTIC – (No Polar) INTERNATIONAL – (Polar)	AK47-00164-0001 AK47-00164-0002
HARDWARE BAG	AK47-00165-0000
TOUCH UP PAINT: SPRAY CAN .5 OZ BOTTLE W/APPLICATOR .33 OZ PEN	0017-00008-0204 0017-00008-0205 0017-00008-0206
ACCESS PANEL ASSEMBLY CONSISTS OF: 120" COAX CABLE 120" POWER EXTENSION CABLE MOUNTING PLATE F-TYPE CONNECTOR	AK47-00122-0001 AK32-00020-0002 AK32-00078-0001 0K47-01197-0001 0017-00021-2846
SERVICE MANUAL	M051-00K47-A013

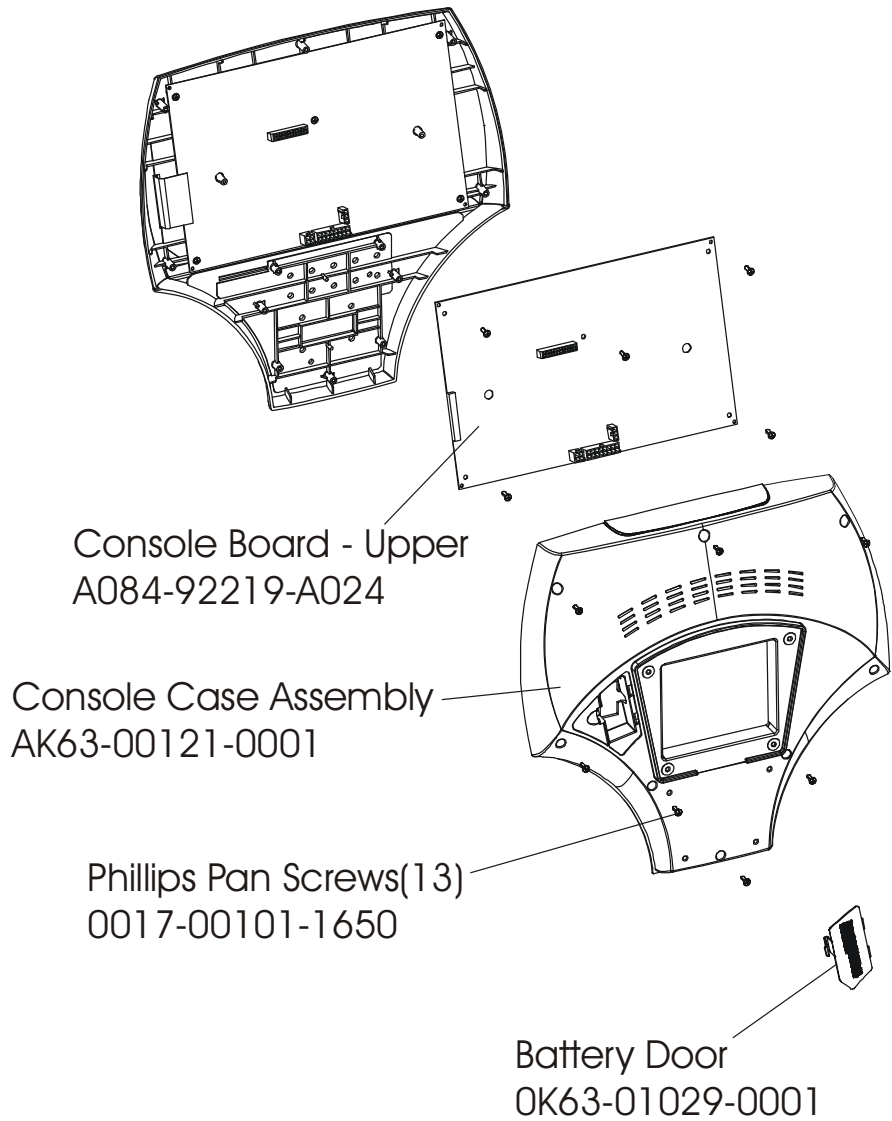
NOTE: When this model is ordered with an attachable LCD TV it becomes a 93SER-XXXX-04. See the Entertainment parts list marked LCD-0XXX-02 for the parts lists and descriptions for the attachable LCD TV, remote and hardware for this product.

	Page
CONSOLE AND RELATED COMPONENTS.....	4
FRAME COMPONENTS.....	5
SHROUDS AND PEDAL TUBE	6
PEDAL ASSEMBLY.....	7
CLUTCH,SHAFT/PULLEY ASSEMBLY	8
LEFT CLUTCH ASSEMBLY	9
CROSSOVER PULLEY ASSEMBLY	10
ALTERNATOR ASSEMBLY.....	11
GUIDE ROLLERS	12
POWER CONTROL BOARD & RESISTORS	13
POLAR RECEIVER CAP	14
CABLES.....	15

The VERSION –04, 93S has contact Heart Rate and Polar Telemetry capability and is pre-wired for attachable TV’s.

ARCTIC SILVER 93S
Console and Related Components

93S-0XXX-04
S/N 10000 and UP

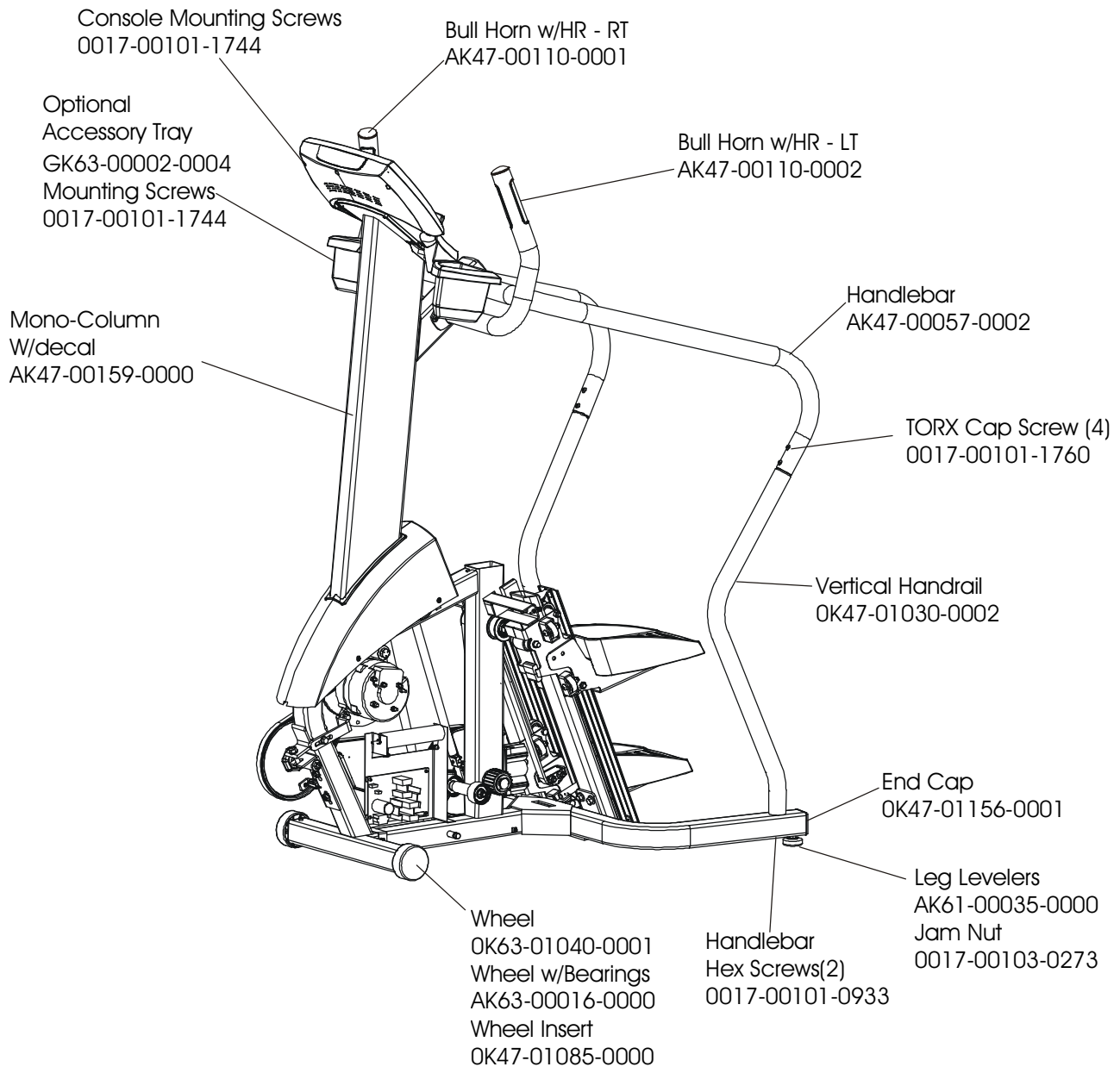


Console Assembly	Overlay/Bezel/Switch Assy.
AK47-00161-0001 Eng/Eng	AK47-00099-0001 Eng/Eng
AK47-00161-0002 Eng Met	AK47-00099-0001 Eng Met
AK47-00161-0003 Ger Met	AK47-00099-0003 Ger Met
AK47-00161-0004 Spn Met	AK47-00099-0004 Spn Met
AK47-00161-0005 Jap/LCD	AK47-00099-0005 Jap/LCD
AK47-00161-0006 Jap Met	AK47-00099-0006 Jap Met
AK47-00161-0007 Frn Met	AK47-00099-0007 Frn Met
AK47-00161-0008 Itl Met	AK47-00099-0008 Itl Met
AK47-00161-0009 Dut Met	AK47-00099-0009 Dut Met
AK47-00161-0010 Por Met	AK47-00099-0010 Por Met

ARCTIC SILVER 93S

Frame Components

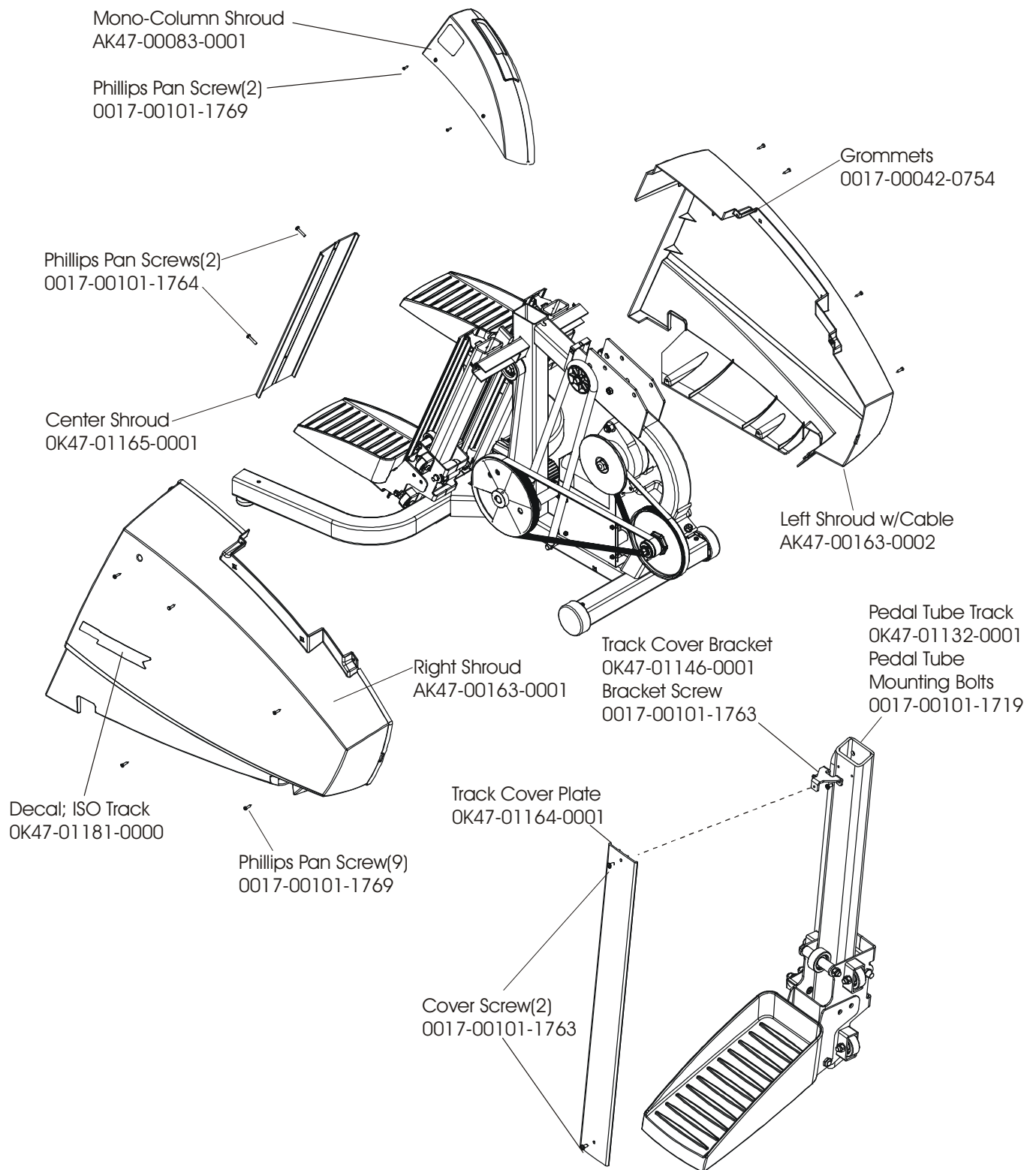
93S-0XXX-04
S/N 10000 and UP



ARCTIC SILVER 93S

Shrouds and Pedal Tube

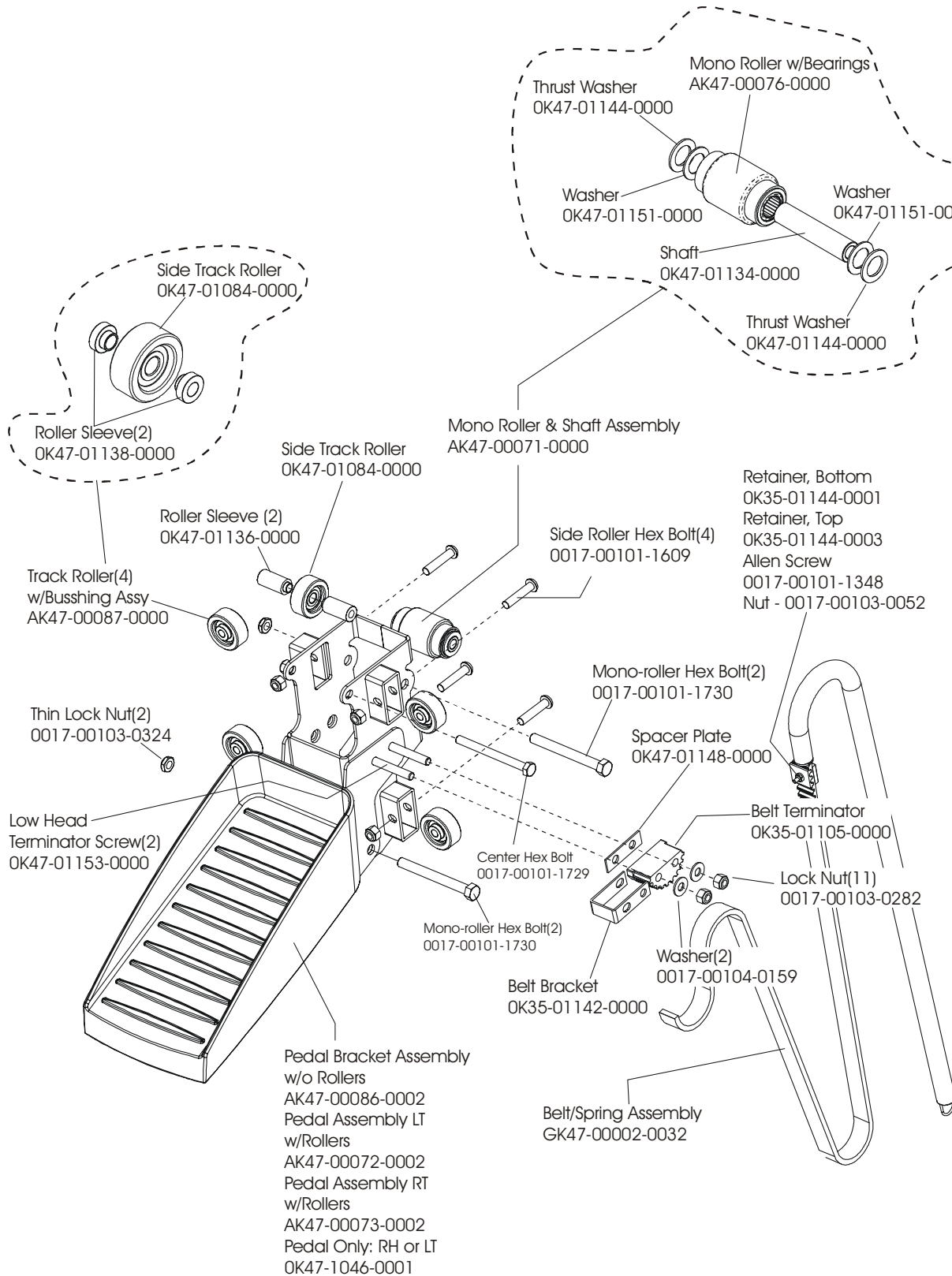
93S-0XXX-04
S/N 10000 and UP



ARCTIC SILVER 93S

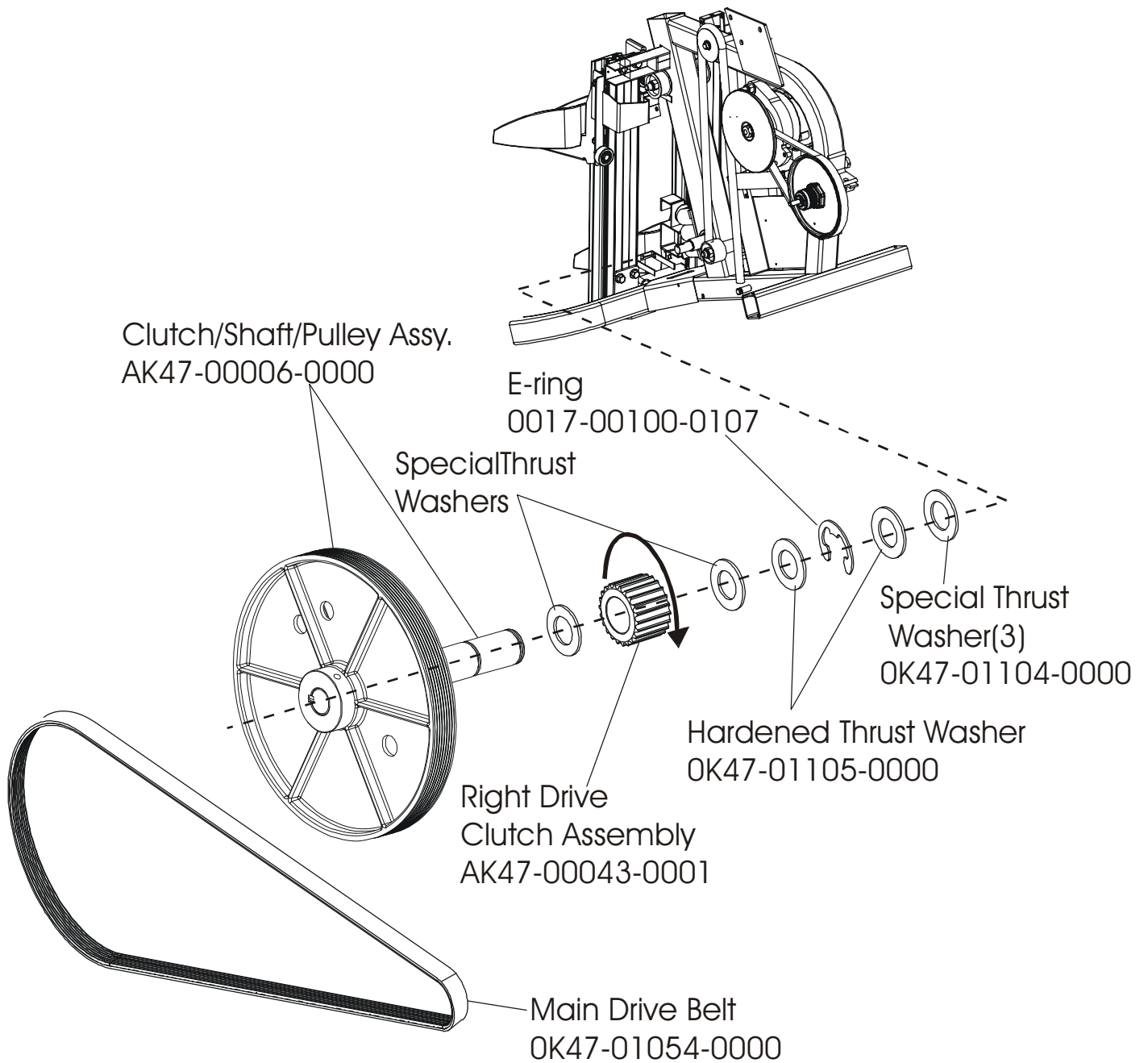
Pedal Assembly

93S-0XXX-04
S/N 10000 and UP



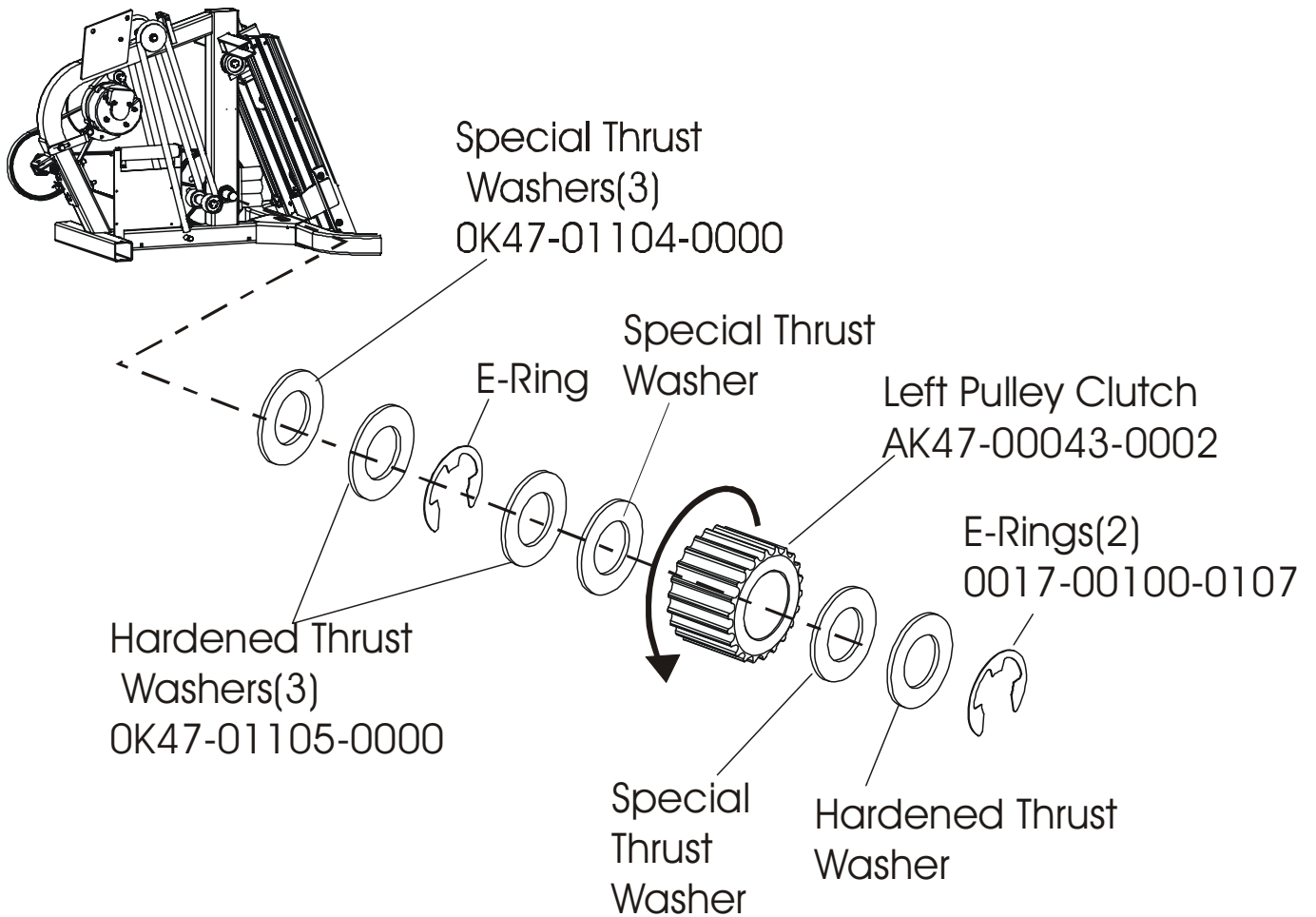
ARCTIC SILVER 93S
Clutch/Shaft/Pulley Assembly

93S-0XXX-04
S/N 10000 and UP



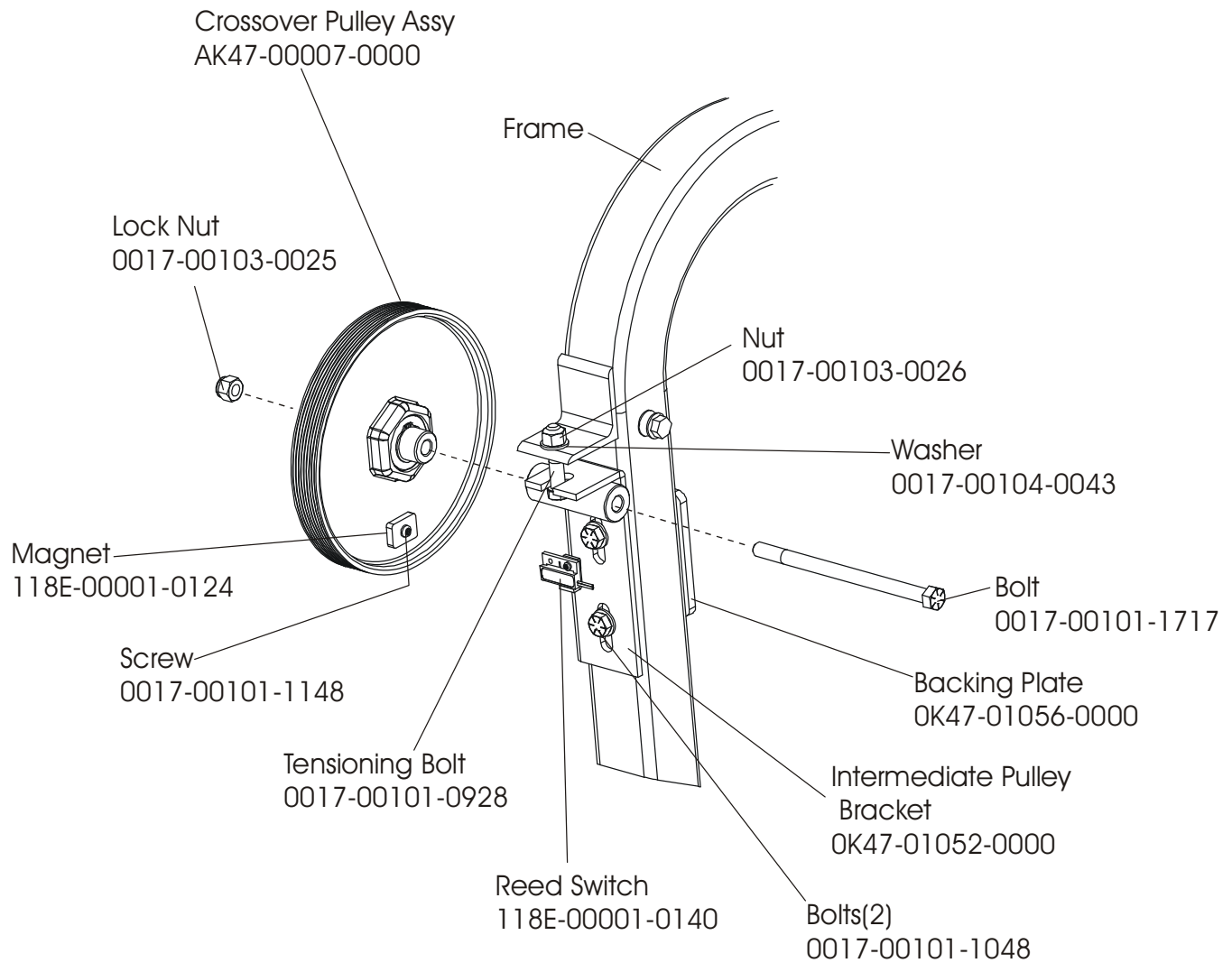
ARCTIC SILVER 93S
Left Clutch Assembly

93S-0XXX-04
S/N 10000 and UP



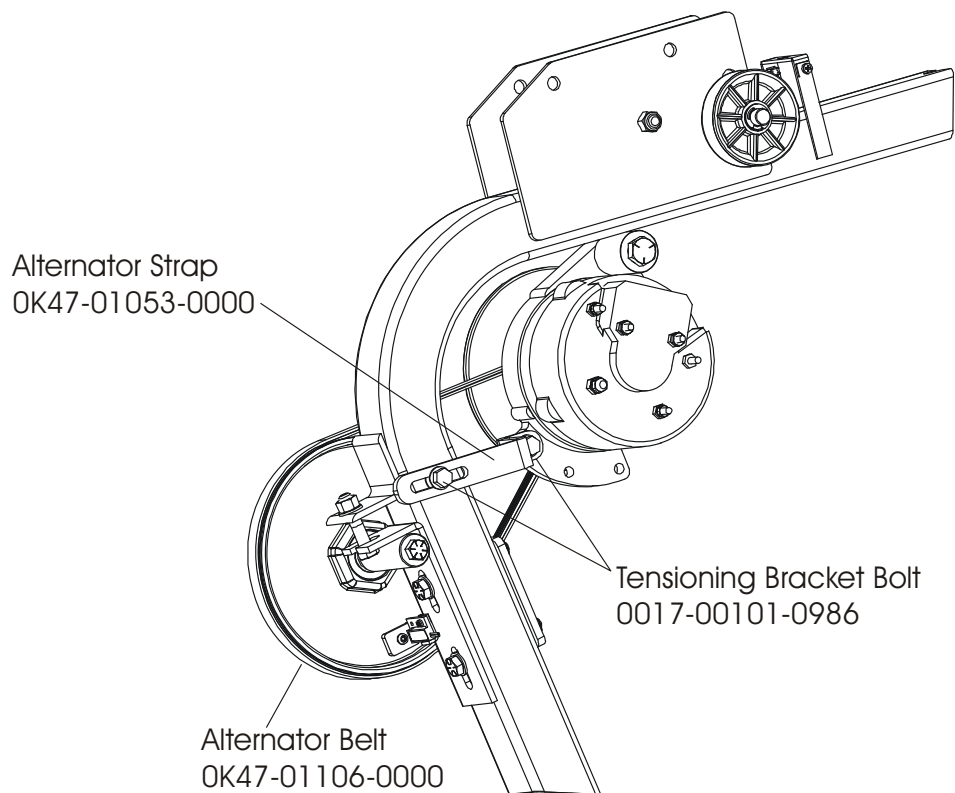
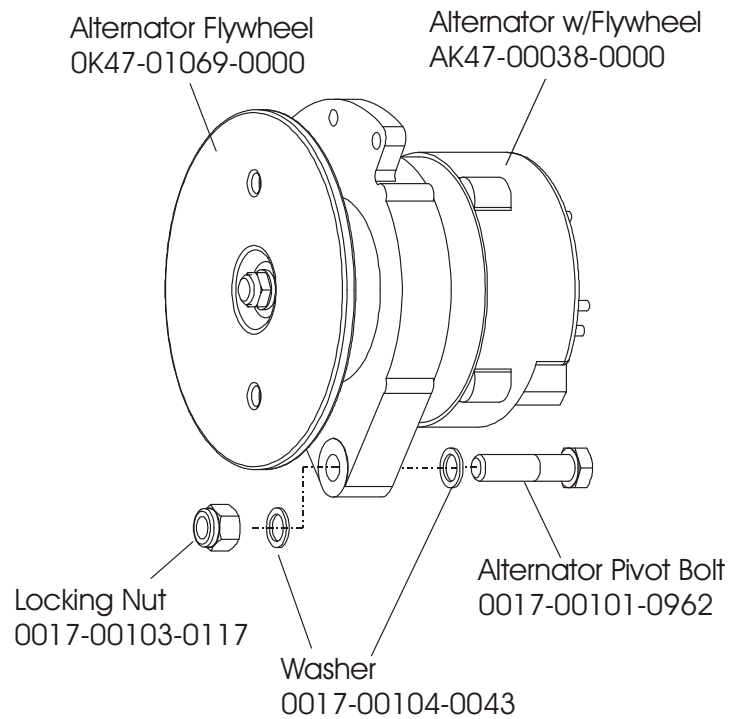
ARCTIC SILVER 93S
Crossover Pulley Assembly

93S-0XXX-04
S/N 10000 and UP



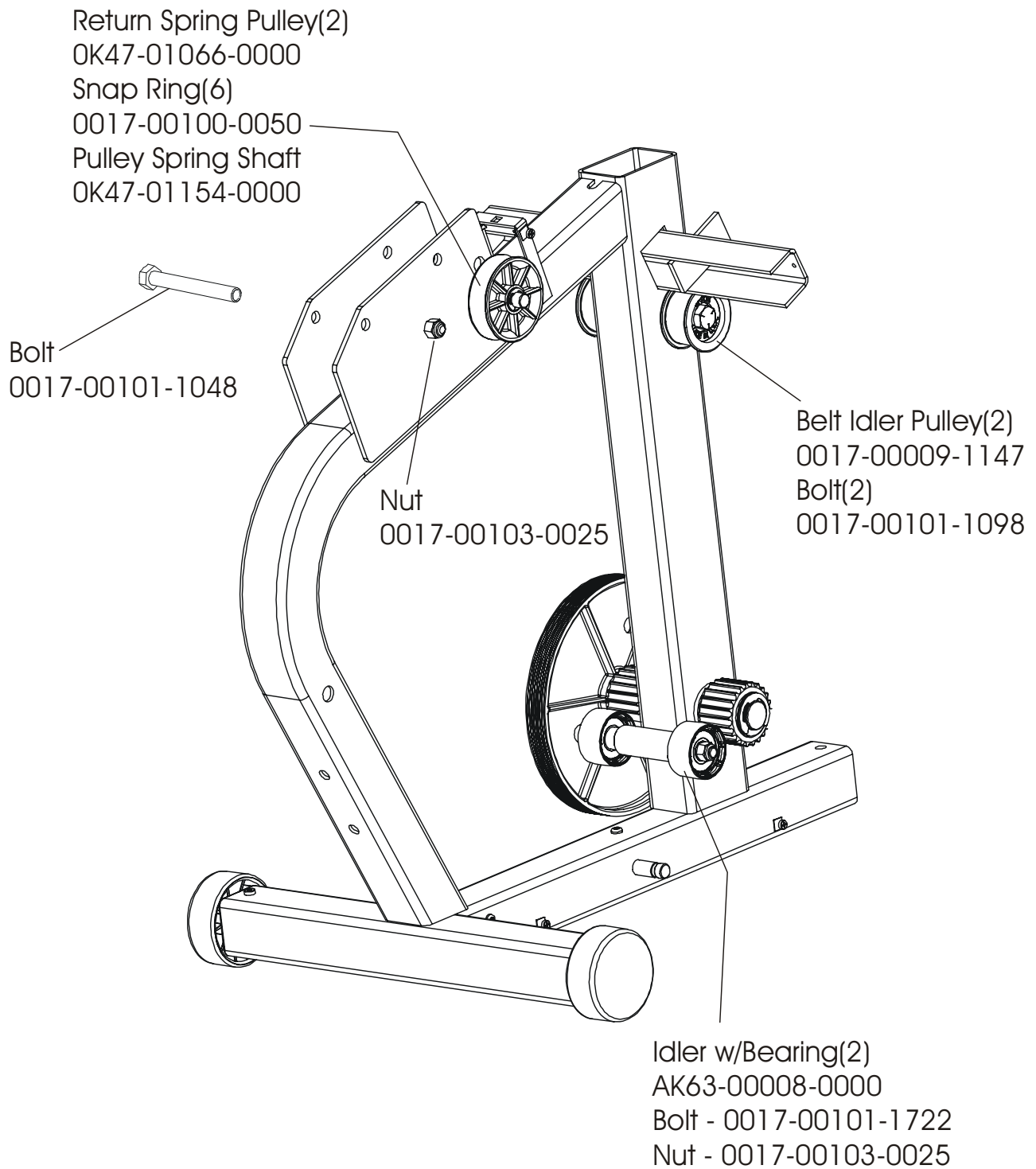
ARCTIC SILVER 93S
Alternator Assembly

93S-0XXX-04
S/N 10000 and UP



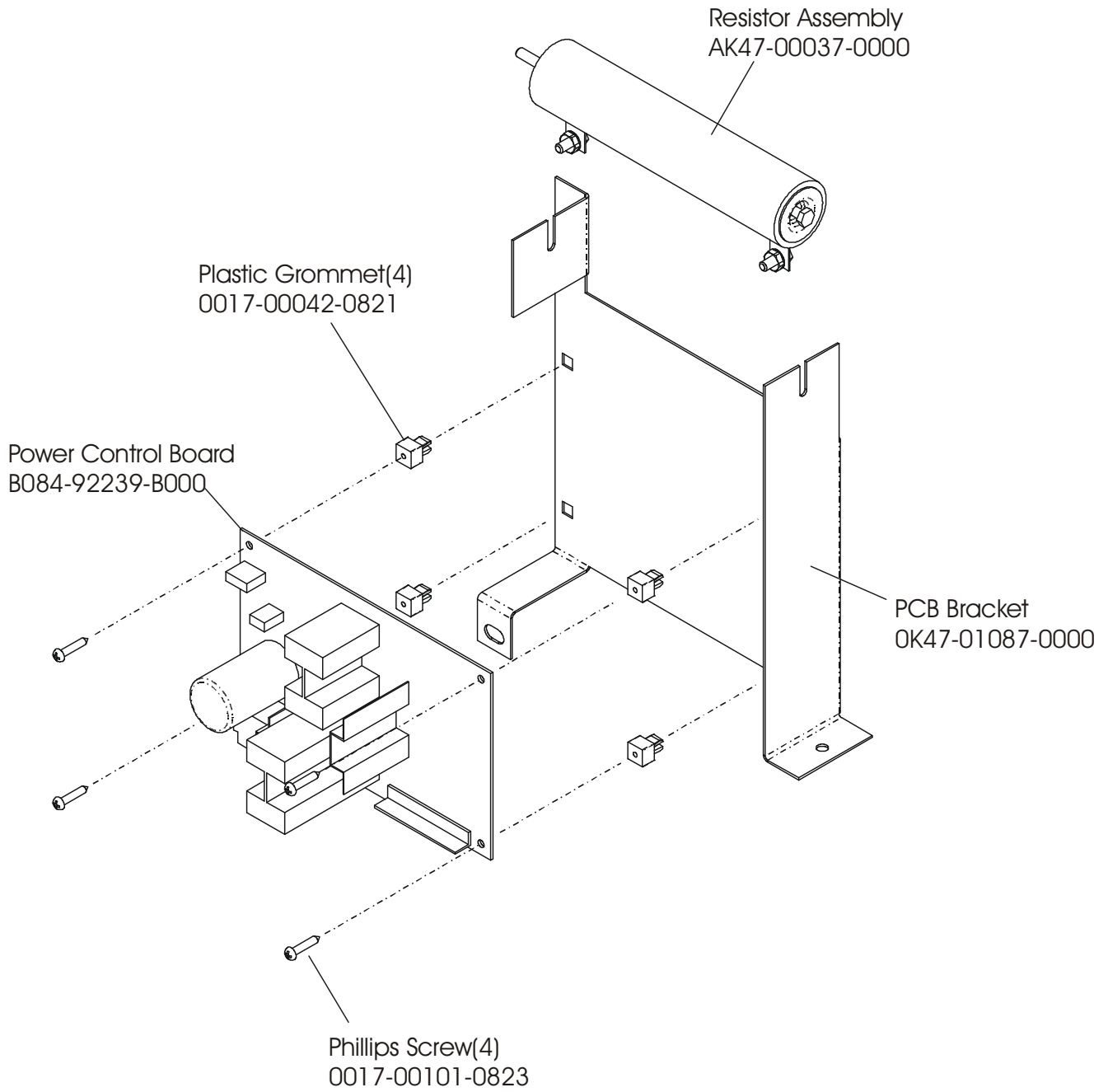
ARCTIC SILVER 93S
Guide Rollers

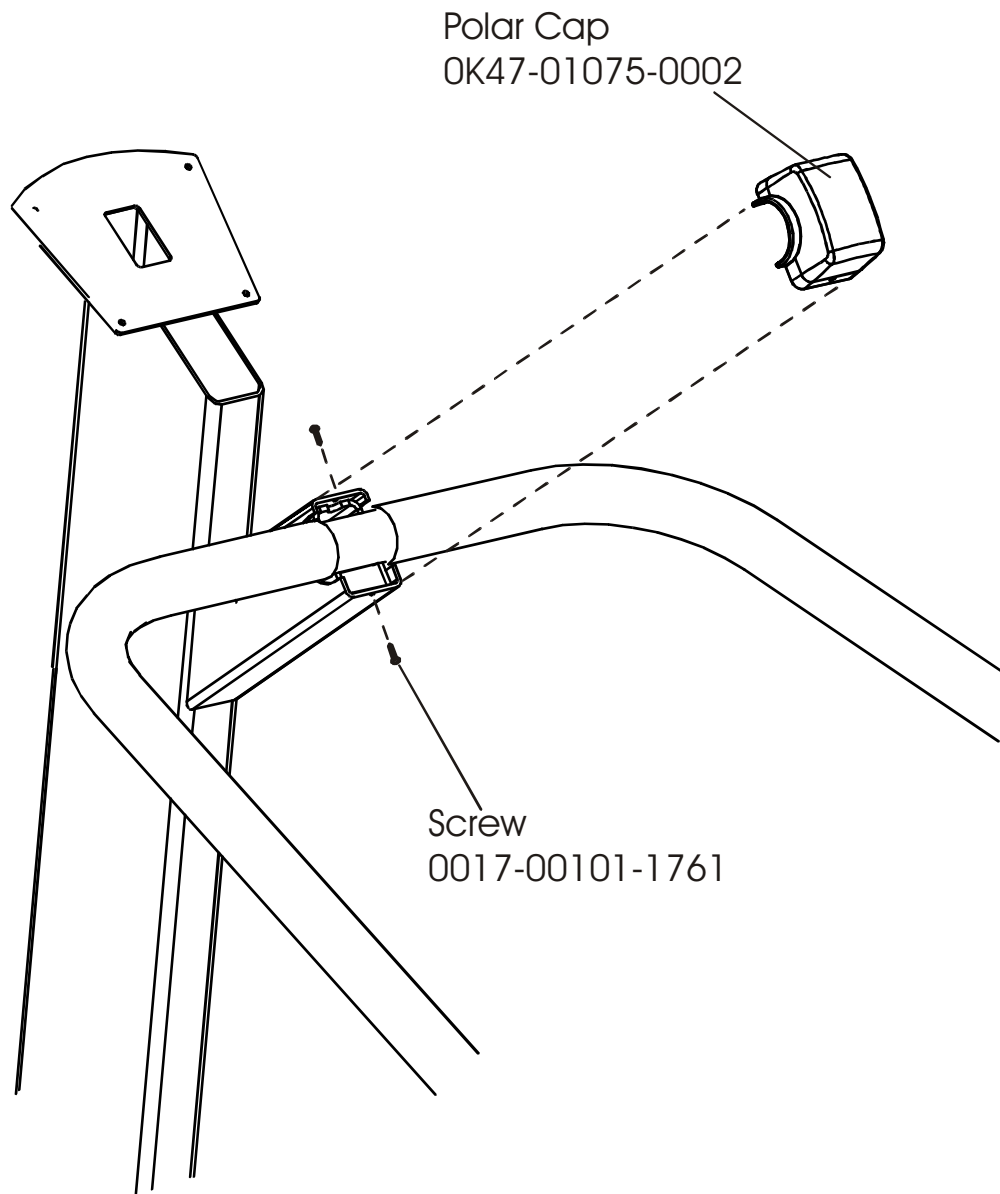
93S-0XXX-04
S/N 10000 and UP



ARCTIC SILVER 93S
Power Control Board & Resistor

93S-0XXX-04
S/N 10000 and UP





Polar Cap
OK47-01075-0002

Screw
0017-00101-1761

ARCTIC SILVER 93S

Cables

93S-0XXX-04
S/N 10000 and UP

